

# Operating Instructions

## Meade® NightView™

### Digital Night Vision Monocular

#### Introduction

The Meade® NightView™ is a digital night vision observing device that can be used during both the daytime and nighttime. NightView fits easily into your hand, and is a portable, low-light device that is ideal for the outdoorsman, boater or nature hobbyist, as well as the user seeking an inexpensive, low-light or no-light security device to interface with VCR's.

#### Parts List

- NightView device containing a battery pack with a 9v connector (batteries are not included); 6 ft. 9v wall adapter; hand strap; carry pouch.
- Red, green and neutral filters for the eyepiece.

#### Operation

Numbers in parentheses refer to Figs. 1-4.

- **Install batteries:** Slide back the battery compartment lid (9). Remove the battery pack (13). Insert six user-supplied AA batteries into the pack in the orientation indicated by the illustration in the battery slots of the pack.

**Note:** Follow the battery manufacturer's precautions. Do not install batteries backward or mix new and used batteries. Do not mix battery types. If these precautions are not followed, batteries may explode, catch fire or leak. Improperly installed batteries void your Meade warranty.

**Note:** NightView may become warm during the last few minutes of battery life. This is normal. NightView attempts to extend its operational life by drawing on the batteries until they are entirely depleted. To do so, the unit uses additional current, which results in heat. This is not abnormal. Users may wish to change batteries at this time. **Warning:** Batteries may be hot.

Snap the 9v connector (12) to the top of the battery pack, if it is not already connected. Reinsert the battery pack into the compartment so that the 9v connector wires are not under the battery pack, but positioned behind the connector. Slide the lid back onto the device.

- **Install Wall Adapter (Indoor Use Only):** You can use the wall adapter in place of batteries. Locate and remove the small rubber plug covering the RCA port (10) and then remove the battery compartment lid (9). Disconnect the 9v connector (12) from the battery pack(13). Slide the 9v adapter end of the wall adapter cord through the hole in the top side of the battery compartment and attach to the 9v connector. Reattach the battery compartment lid. Plug the other end of the wall adapter into an indoor household electrical outlet. **Caution:** The wall adapter should only be used with an indoor household electrical outlet.
- **Turn on power to the device:** Press down on the power button (3) until you hear it click.
- **Bring it all into focus:** The first time you try this procedure, try it during the daytime to get a feel for focusing objects before attempting to focus at night.

Look through the eyepiece at the black border surrounding the viewing area. Rotate the eyepiece (7) until the border comes into sharp focus.

If you have a problem seeing the black border, first adjust the objective lens (1) until an object comes into rough focus. Then rotate the eyepiece until you get a sharp focus. For example, point NightView at an easy-to-see object 20 to 50 yds. away, such as a telephone pole or traffic sign, and practice focusing. Practice focusing on several objects until you feel comfortable with the procedure.

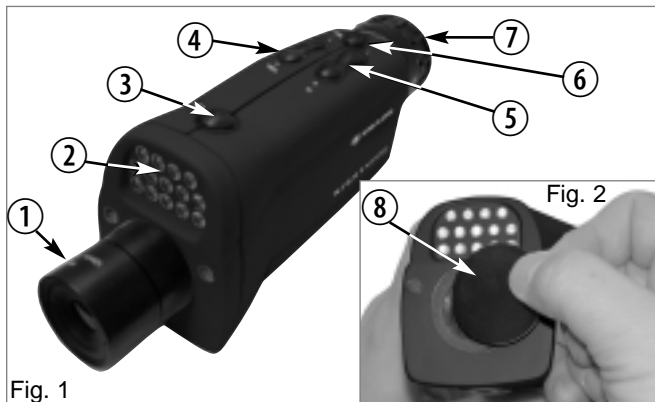


Fig. 1

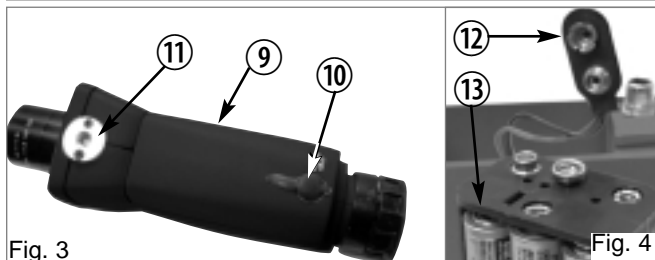


Fig. 3

Fig. 4

Fig. 1

1. 12mm f/1.2 Objective lens
2. Infrared light array  
Emits a powerful, well-dispersed infrared light. Can illuminate objects 100 or more yds. away.
3. Power button
4. Display brightness
5. Infrared control
6. 2x zoom
7. Adjustable eyepiece

Fig. 2

8. Eyepiece cover

Fig. 3

9. Battery compartment
10. RCA port
11. Mounting adapter thread

Fig. 4

12. 9v connector
13. Battery pack

- **Test drive the 2x digital zoom feature:** Point NightView at an object and press down and hold the digital zoom button (6). If an object looks out of focus while using the zoom, you have not yet sharply focused NightView. Release the zoom button and refocus NightView, as previously described (see above). Practice with the digital zoom feature during the daytime also. It should take you no more than a few minutes to feel comfortable with the focus and zoom features.
- **You're ready for the night:** Once you feel comfortable with the focus and digital zoom, try out these features at night. To illuminate objects at night, you will need to adjust the display brightness (4) and infrared control (5).
- **Observe in Infrared:** Point NightView at an object and press the infrared control button (5). Notice that infrared control is actually made up of two buttons; the front button which increases the infrared intensity to its maximum level and the rear button which decreases the infrared intensity to its minimum level.

Press and hold down one end of the infrared control. Then, hold down and press the other end of the button. You will notice the object you have chosen quickly becomes very bright and then quickly becomes very dim (or vice-versa, depending upon which end of the button you pressed first).

Make the image dim (press and hold down on the back infrared button). Then, instead of pressing and holding down on the button, just click the button briefly. Continue to click briefly on the button. Note how the intensity

increases in steps as you click the button. NightView provides you 100 levels of brightness (or 100 “clicks”).

To sum up: If you press and hold the button, the intensity changes very quickly. If you tap the button, the intensity changes slowly, in steps.

**Note:** If the Infrared control is used at maximum intensity for long periods of time, the Infrared Array (2) will become hot; do not touch. All infrared devices produce heat. This is not abnormal.

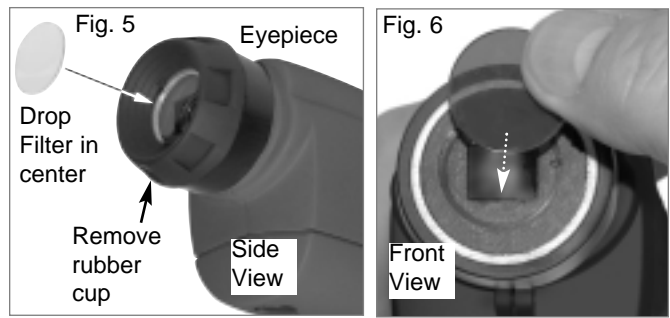
- **A Bright Idea:** Display brightness (4) works exactly like the infrared button. Experiment with both the display brightness and infrared buttons until you have mastered how to illuminate an object.
- **NightView Remembers:** When you turn off Power (just press down on the Power button again until it clicks), NightView remembers the last infrared and display brightness setting you chose. NightView will return to these settings next time you power on.
- **Connect NightView to a monitor:** Locate and remove the small rubber plug covering the RCA port (10). Plug one end of a user-supplied RCA cable (this is a standard cable used with most video equipment) into NightView’s RCA port and the other end into the “In” port of a monitor that accepts an RCA cable. Or you may plug the cable into the “In” port of a VCR (most recent VCRs accept RCA cables).

Make sure the monitor is set for the “line in” mode, if necessary. See your monitor’s (or VCR’s) instruction manual for further information. The monitor will provide a sharp image of whatever NightView is pointed at.

- **Connect Adapter (optional):** Open the battery compartment, remove the battery pack and set aside. Attach an optional 9v adapter (available at most electronic outlet stores) to the 9v connector and plug the adapter into a standard 110v wall outlet.
- **Mount NightView to a tripod:** If you have a tripod with a standard mounting bolt, thread the bolt into NightView’s mounting adapter thread (10).
- **Experiment with the colored filters:** The filters help to improve different viewing situations. You may notice that the image in NightView’s eyepiece appears very bright at night. Try using the gray filter (called a neutral density filter) to cut down the brightness level. If you wish to preserve your night vision, attach the red filter. If you’re looking for more contrast, give the green filter a try. Use whichever filter suits your viewing conditions.

To attach a filter, first pull to remove the rubber cup in front of the eyepiece and then drop the filter into the center of the eyepiece (Fig. 5 & 6). Press firmly to reattach the eyepiece cup. To remove the filter, remove eyepiece cup. Place your hand over the filter and tilt the unit. The filter will fall out into your hand. Reattach the eyepiece cup.

If you have a question concerning use of **NightView**, call the Meade Customer Service Department at (949) 451-1450. Customer Service hours are 8:30 AM to 4:30 PM, Pacific Time, Monday through Friday.



## Warranty

Every Meade® night vision device is warranted by Meade Instruments (“Meade”) to be free of defects in materials and workmanship for a period of ONE YEAR from the date of original purchase in the U.S.A. and Canada. At its option, Meade will repair or replace the product, or part thereof, found upon inspection by Meade to be defective, provided the defective part or product is returned to Meade, as explained below. This warranty applies to the original purchaser only and is non-transferable. Meade products purchased outside North America are not included in this warranty, but are covered under separate warranties issued by Meade International Distributors.

**RGA Number Required:** Prior to the return of any product or part, a Return Goods Authorization (RGA) number **must** be obtained from Meade by calling (949) 451-1450. Each returned part or product must include a written statement detailing the nature of the claimed defect, as well as the owner’s name, address, and phone number.

This warranty is not valid in cases where the product has been abused or mishandled, where unauthorized repairs have been attempted or performed, or where depreciation of the product is due to normal wear-and tear. Meade specifically disclaims special, indirect, or consequential damages or lost profit, which may result from a breach of this warranty. Any implied warranties which cannot be disclaimed are hereby limited to a term of one year from the date of original retail purchase.

This warranty gives you specific rights. You may have other rights which vary from state to state. Meade reserves the right to change product specifications or to discontinue productions without prior notice. This warranty supersedes all previous Meade binocular warranties.

**Any return made in the U.S.A. under this limited warranty must follow this procedure:**

### Packaging:

If possible, ship the product in its original packaging. Please be sure to wrap the package securely and use filament strapping tape on the outside of the package. Send only the product to be repaired. Please do not send accessory items, such as filters, etc.

What to Include with Your Product:

- A short note explaining the reasons you are sending the product in for repair.
- Your daytime phone number.
- The RGA Number
- An address for returning your product to you. (No PO boxes, please).
- A check or money order in the amount of \$10 to cover shipping and handling fees.

### Shipping:

We recommend that you ship your product to us by a traceable parcel service. We also recommend that you insure your shipment against loss. Many carriers automatically insure packages up to a certain nominal amount, typically \$100. Please check to see if the insurance provided by the carrier is adequate to cover the replacement value of your product. If you live in the United States, your product should be sent, freight prepaid, to:

**Meade Instruments**  
Attn: NightView Repair  
6001 Oak Canyon  
Irvine, CA 92618

© The name “Meade,” and the Meade logo, are trademarks registered with the U.S. Patent Office and in principal countries throughout the world. All rights reserved.

The name “NightView” is a trademark of the Simmons Outdoor Corp. and the Meade Instruments Corp.

FCC/CE & Patent Pending

© 2004 Meade Instruments



ADVANCED PRODUCTS DIVISION

**Meade Instruments Corporation**

World’s Leading Manufacturer of Astronomical Telescopes for the Serious Amateur

6001 Oak Canyon, Irvine, California 92618 ■ (949) 451-1450

■ [www.meade.com](http://www.meade.com)

© 2004